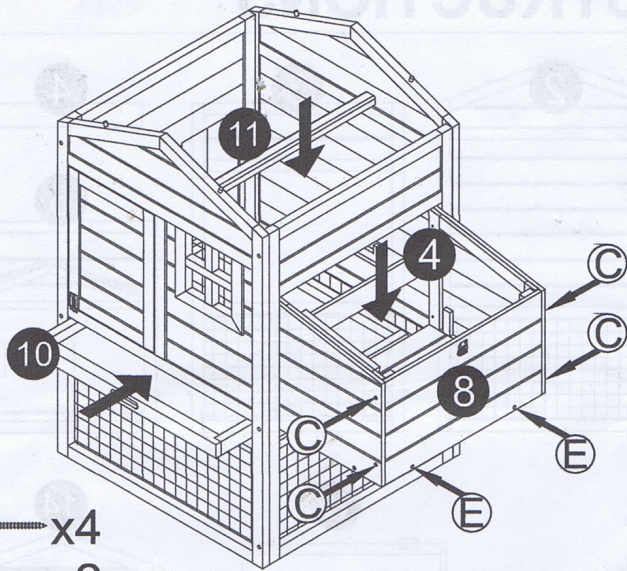
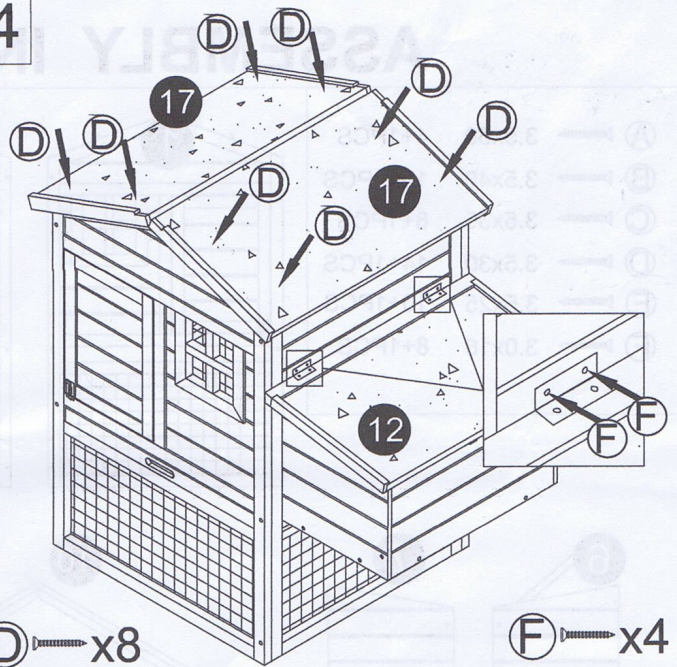


3



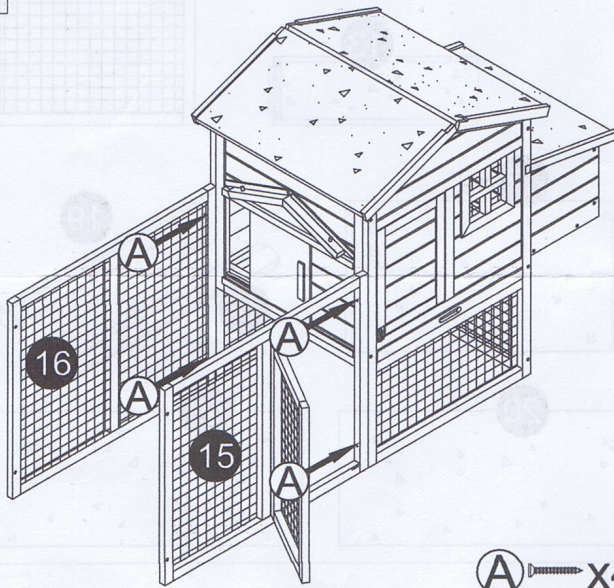
ⓐ → x4
 ⓔ → x2

4



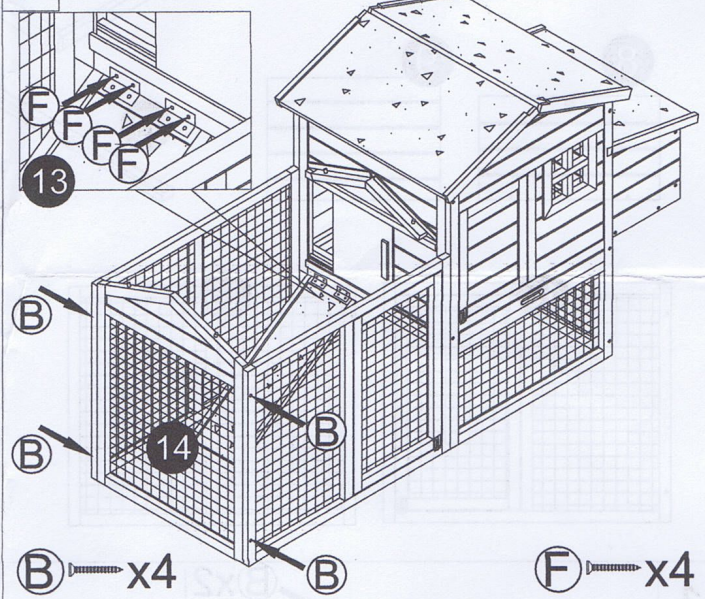
ⓓ → x8
 ⓕ → x4

5



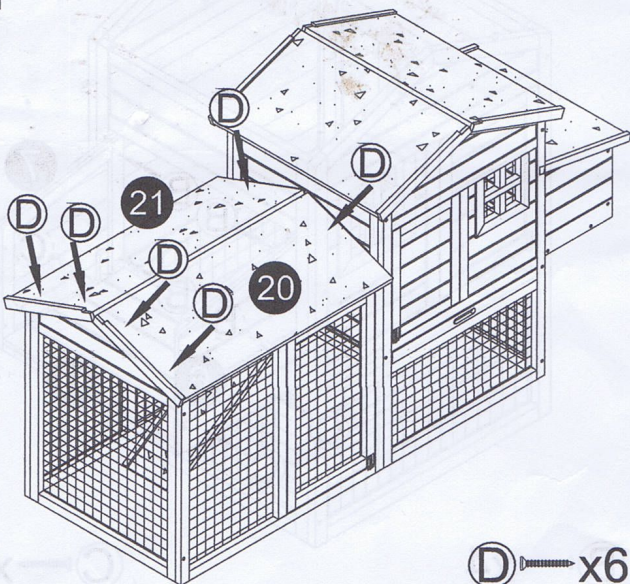
ⓐ → x4

6



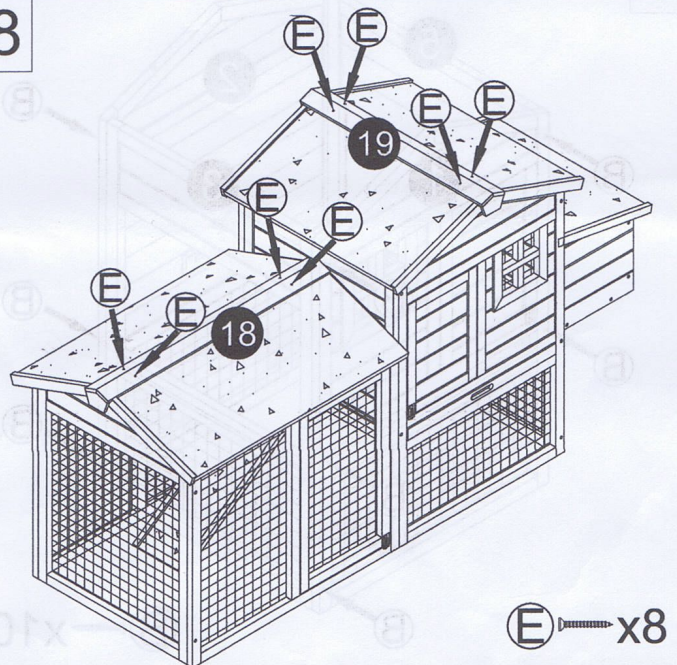
ⓑ → x4
 ⓕ → x4

7









ⓓ → x6

8



ⓔ → x8

ASSEMBLY INSTRUCTIONS

- Ⓐ  3.5x50 4+1PCS
- Ⓑ  3.5x40 18+1PCS
- Ⓒ  3.5x35 8+1PCS
- Ⓓ  3.5x30 14+1PCS
- Ⓔ  3.5x25 10+1PCS
- Ⓕ  3.0x16 8+1PCS

